
Navigator

Production History (Rev info) 1984 to Present

All Navigator Models

- 1986: (No Rev #) Changed from a **red** incandescent bulb to a **red** LED.
- 1987: (No Rev #) Changed Bowl to use a self-tapping bezel screw.
- 1993: (No Rev #) Changed from a **red** LED to a **green** LED.
- 1999: (No Rev #) Changed bowl to accommodate new direct read models.
- 2000: (Rev # 1) Changed to plastic bezel, changed sunshade screws and added washers.
- 2001: (No Rev #) Removed hard plastic washer from sunshade screw.
- 2001 (Rev # 2) Changed to Isopar L dampening fluid.
- 2001: (Rev # 3) Navigator Compasses received Wheelmark Certification.
- 2003: (No Rev #) Changed design of Sunshade LED. (see Service Bulletin SB0021)

DNB, DNP, DNW's & SS-2100

- 2000: (Rev #1) In concurrence with the bezel change, pem nuts replaced the spacer on the binnacle.

DNB-203, DNP-203, DNW-203, FN-203 & FNW-203

- 2000: (No Rev #) Changed to stronger compensator magnets.
- 2001: (Rev # 1) Changed bowl, bezel & light clips to accommodate under bezel lighting.
- 2001: (Rev # 4) Dial Coating. (see Service Bulletin SB0016)
- 2002: (Rev #1) Change to Molded Dial. (see Service Bulletin SB0016)
- 2004: (Rev # 1) Changed to a brighter front light assembly.

BN-202

- 2004: (Rev # 1) Re-designed Gimbal Pan (see Service Bulletin SB0027)

Repair Tips

When replacing the diaphragm retainer on any Navigator model, make sure the key on the diaphragm retainer is aligned with the keyway on the bowl.

Make sure the gimbal pins stay in the bowl trunnions during re-assembly.

If you are replacing a Dial on a BN-202 built before 2004 rev 1 you will need to also replace the Gimbal pan. Please see Service Bulletin SB0027.

Navigator

CombiDamp Flush Mounts

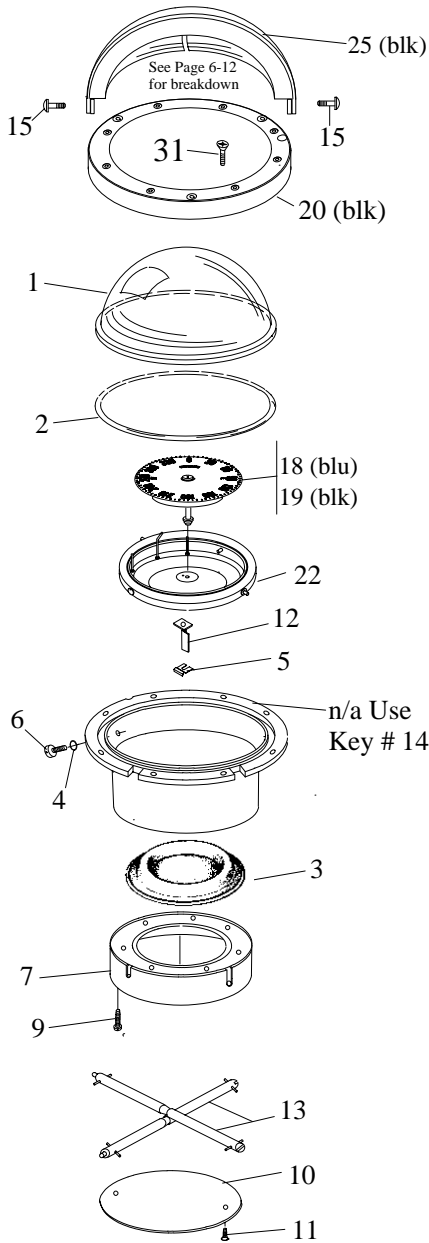
1	NV-0022	Dome		
2	NV-0054	O-ring		
3	NV-0021	Diaphragm		
4	SH-0039	O-ring, fill plug screw		
5	SH-0052	Retainer, balance tab		
6	NV-0086	Screw, fill plug		
7	NV-0057	Retainer, diaphragm		
8	SH-0061	Screw, 4-24 X 1/2", flt, bezel		
9	SH-0062	Screw 4-24 x 3/8", rnd, diaph retainer		
10	NV-0013	Comp Cover		
11	SH-0064	Screw, 4-40 x 1/4", comp cover		
12	NV-0128 ASY	LED, dual light assembly, green		
13	NV-0138	Gasket LED,		
15	SH-0066	Screw, 4 x 1/4", pan, light retainer		
16	NV-0179 MAG	Compensator Rod, CombiDamp, flush		
17	NV-0164	Balance Tab, for CombiDamp dials		
18	NV-0064	Screw, sunshade retaining	1999 to 2000	
19	NV-0165	Screw, sunshade, for plastic bezel	2000 (Rev #1) to present	
20	NV-0172	Washer, flat, nylon, for plastic bezel	2000 to 2001	
22	NV-0135 LFT	Retainer, light assembly left		
23	NV-0135 RGT	Retainer, light assembly right		
24	NV-0007	Bowl, under bezel lighting		
25	NV-0185 LFT	Retainer, light, left	2001 (Rev #1) to present	
26	NV-0185 RGT	Retainer, light right		
27	NV-0088 ASY	Sunshade, white, with red LED		
28	NV-0100 ASY	Sunshade, white, with green LED	ALL	
29	NV-0125 ASY	Dial, white, CombiDamp dial		
32	NV-0167 ASY	Bezel, plastic, white	2001 (Rev #1) to present	
33	NV-0070 ASY	Sunshade, black, red LED		
34	NV-0099 ASY	Sunshade, black, green LED	ALL	
35	NV-0124 ASY	Dial, black, CombiDamp Dial		
38	NV-0166 ASY	Bezel, plastic, black	2001 (Rev #1) to present	
39	NV-0189 ASY	Gimbal Ring/Pan. Use w/ white dial		
40	NV-0131 ASY	Gimbal Ring/Pan Use w/ black Dial	All	
				FN-203, FNW-203
				FNW-203
				FN-203
				FNW-203
				FN-203

Mounting Gasket for all Flush mount Navigators **Part # NV-0175**

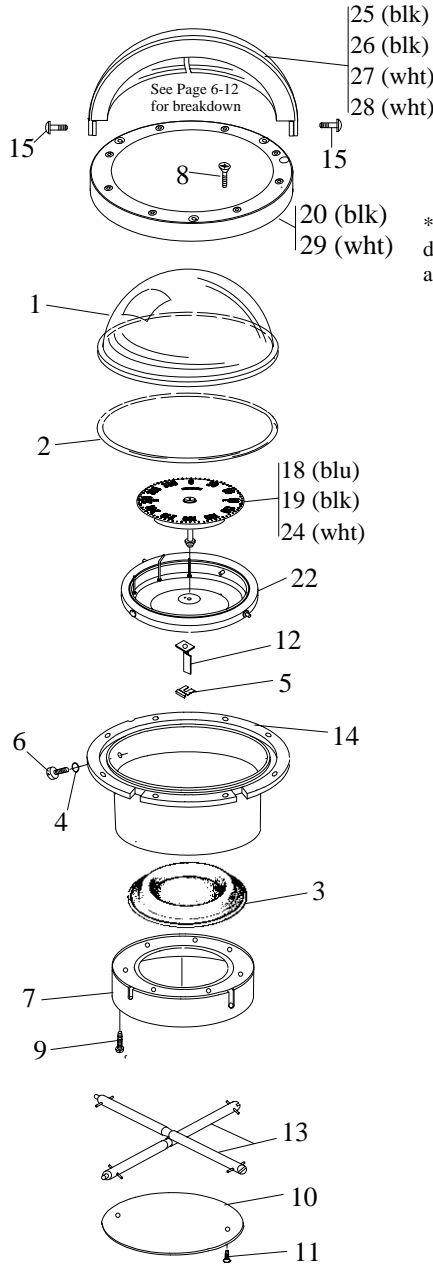
Navigator

FN-201, FNW-201, SS-2000, SS-2000W

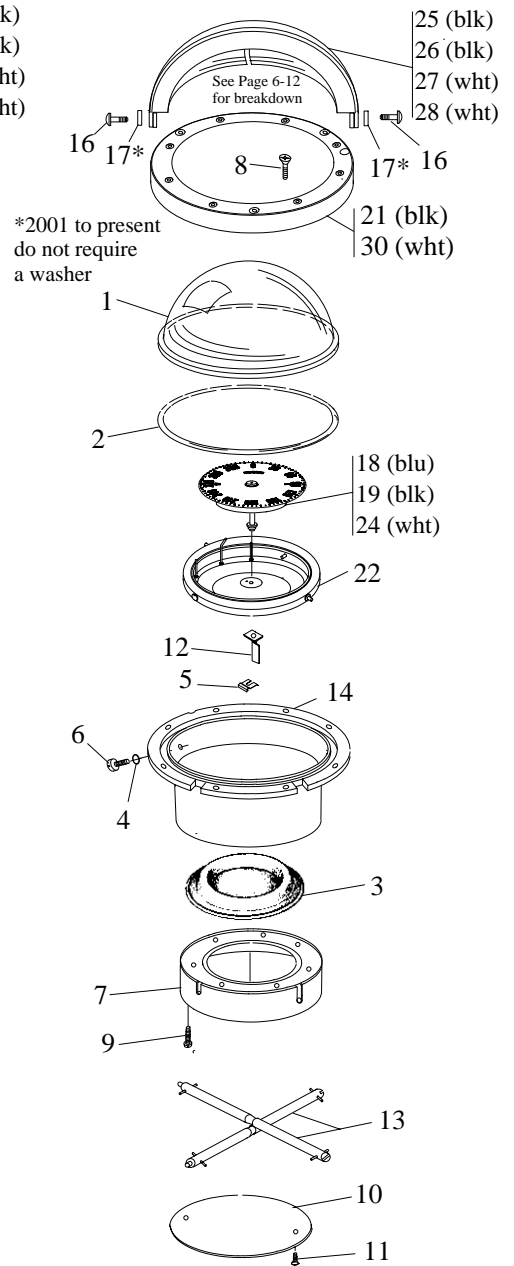
1984 to 1987



1987 to 2000



2000 (Rev 1) to present



Navigator

Open Face Flush Mounts

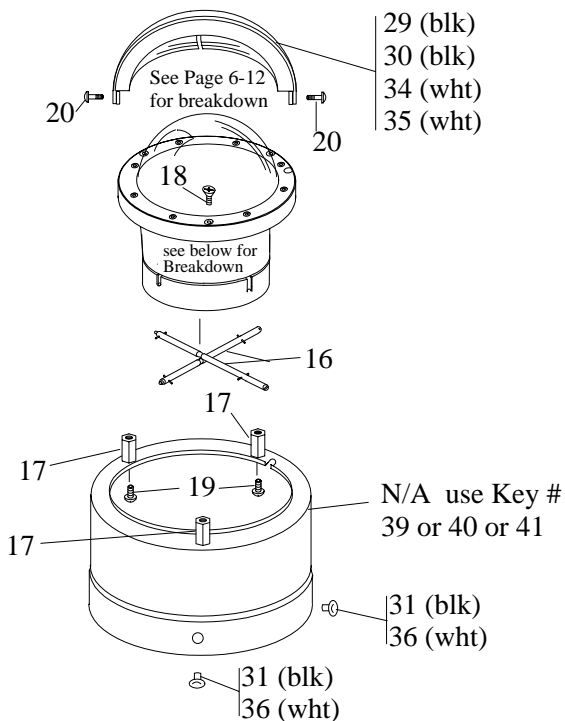
1	NV-0022	Dome	ALL	FN-201, FNW-201 SS-2000, SS-2000W
2	NV-0054	O-ring		
3	NV-0021	Diaphragm		
4	SH-0039	O-ring, fill plug screw		
5	SH-0052	Retainer, balance tab		
6	NV-0086	Screw, fill plug		
7	NV-0057	Retainer, diaphragm		
8	SH-0061	Screw, 4-24 x 1/2", flt, bezel	1987 to Present	
9	SH-0062	Screw, 4-24 x 1/2", rnd, diaph retainer	ALL	
10	NV-0013	Comp Cover		
11	SH-0064	Screw, 4-40 x 1/4", comp cover		
12	NV-0002	Balance Tab, for open face dial		
13	NV-0063 MAG	Compensator rod, flush mount		
14	NV-0007	Bowl		
15	NV-0064	Screw, sunshade retaining	1984 to 2000	
16	NV-0165	Screw, sunshade, for plastic bezel	2000 (Rev #1) to present	
17	NV-0172	Washer, flat nylon, for plastic bezel	2000 (Rev #1) to 2001	
18	NV-0018 ASY	Dial, blue, open face	ALL	SS-2000 & SS-2000W
19	NV-0094 ASY	Dial, black, open face	ALL	FN-201
20	NV-0004	Bezel, brass, black	1984 to 2000	
21	NV-0166 ASY	Bezel, plastic, black	2000 (Rev #1) to present	
22	NV-0085 ASY	Gimbal Ring & Pan	ALL	FN-201, SS-2000, SS-2000W
24	NV-0097 ASY	Dial, white, open face	ALL	FNW-201
25	NV-0070 ASY	Sunshade, black, red LED	ALL	FN-201, SS-2000
26	NV-0099 ASY	Sunshade, black, green LED		
27	NV-0088 ASY	Sunshade, white, red LED	ALL	FNW-201, SS-2000W
28	NV-0100 ASY	Sunshade, White, green LED		
29	NV-0087	Bezel, brass, white		
30	NV-0167 ASY	Bezel, plastic, white	2000 (Rev #1) to present	
31	NV-0065	Screw, 4-24 x 1/2", mch, bezel	1984 to 1987	

Mounting Gasket for all Flush mount Navigators **Part # NV-0175**

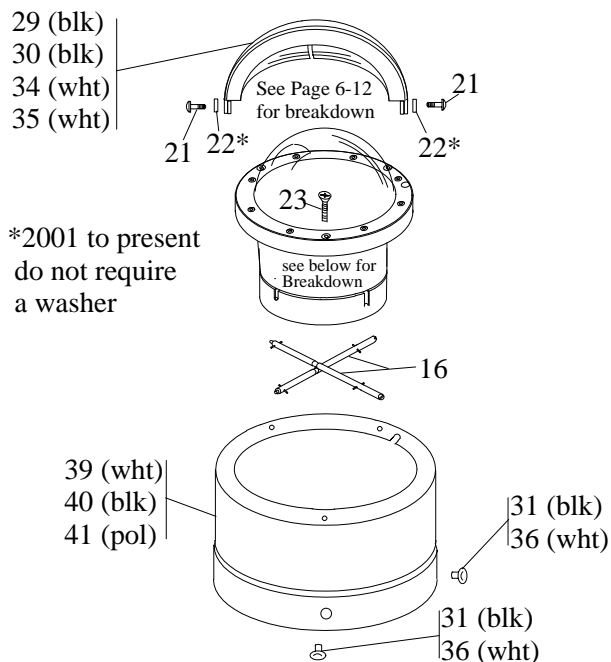
Navigator

DNB-200, DNP-200, DNW-200, SS-2100B, SS-2100P, SS-2100W

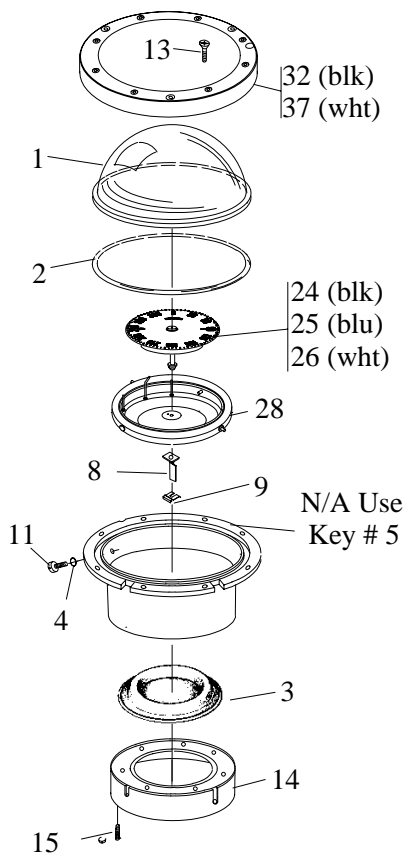
1984 to 2000



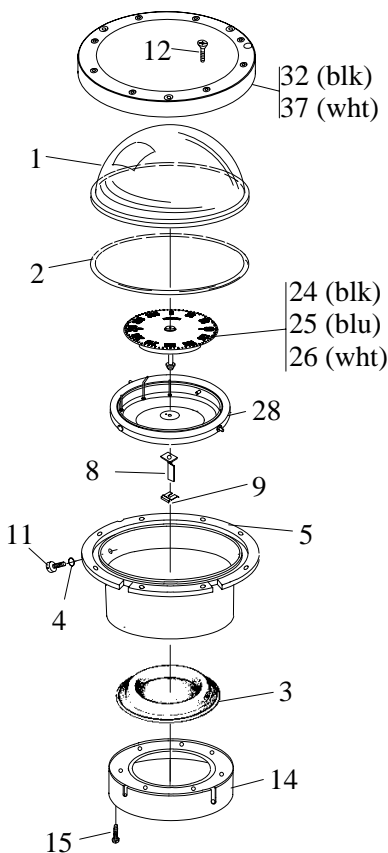
2000 (Rev 1) to present



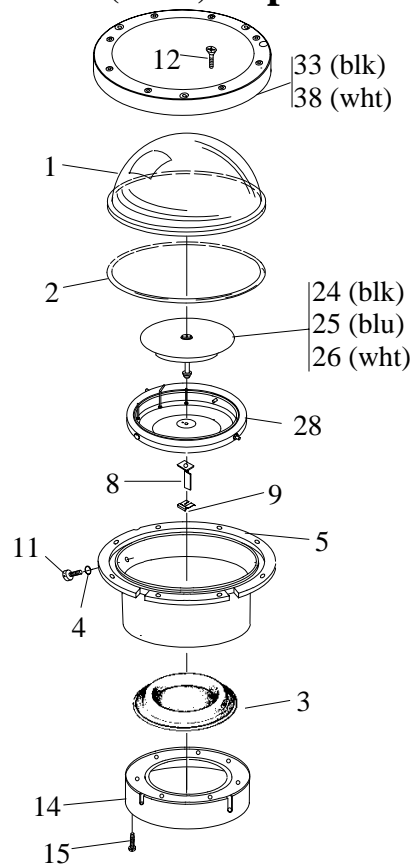
1984 to 1987



1987 to 2000



2000 (Rev 1) to present



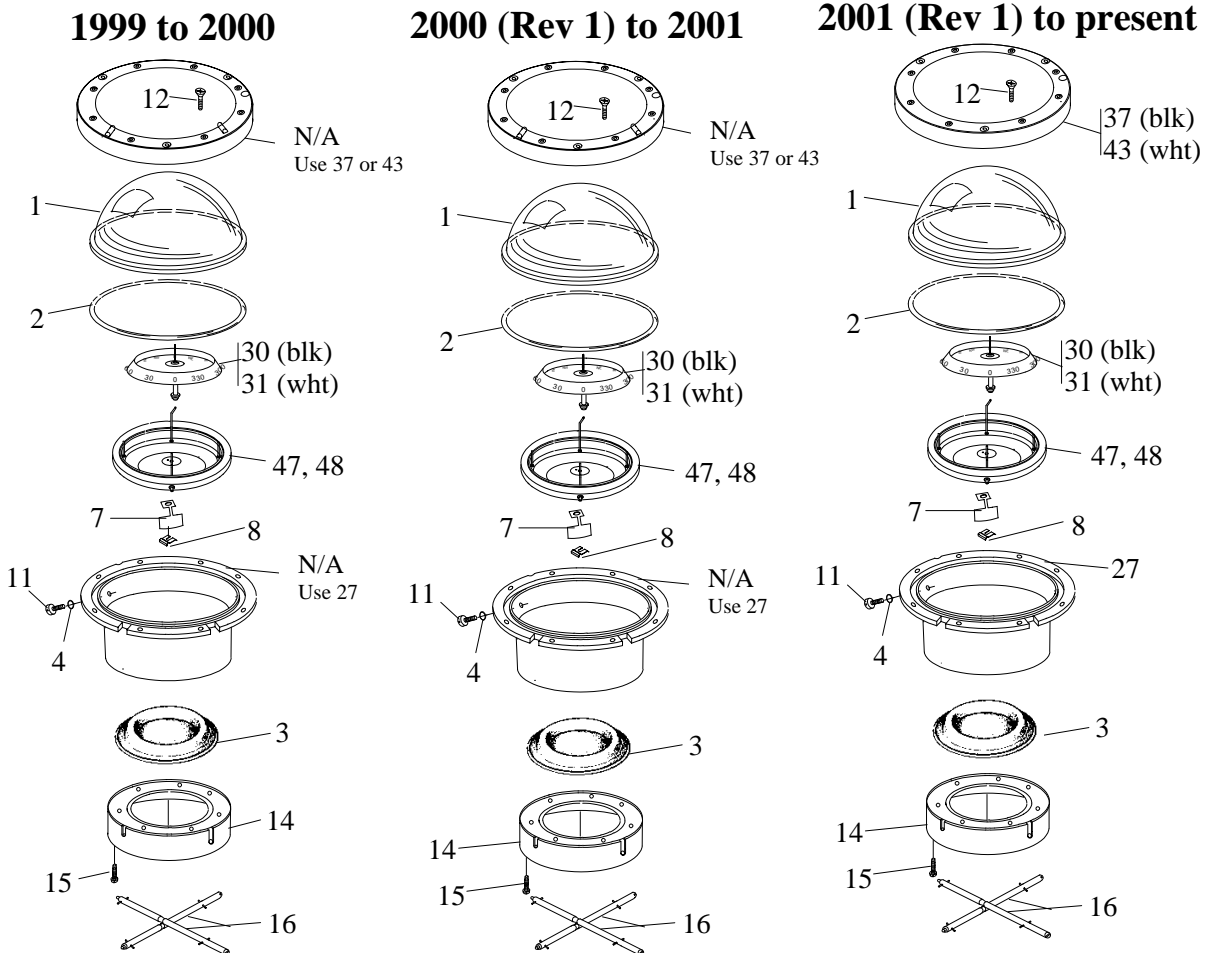
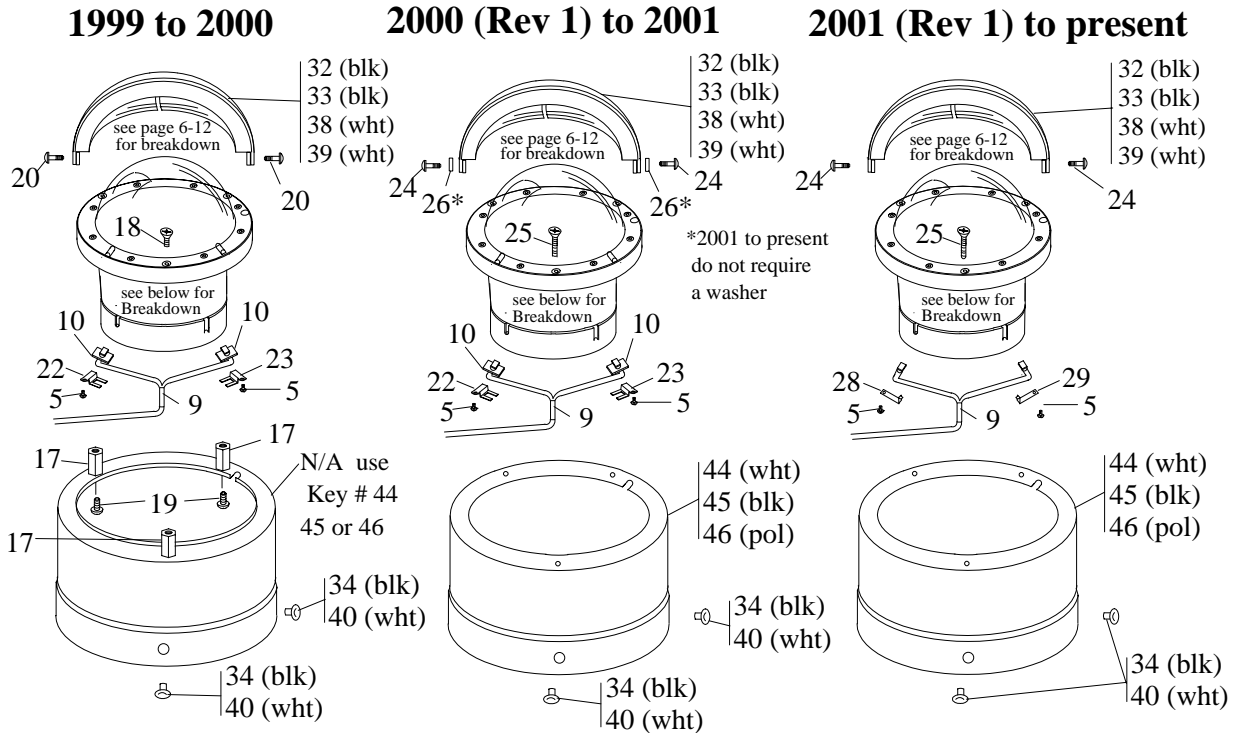
Navigator

Open Face Binnacle Mount

1	NV-0022	Dome	All	DNB-200, DNP-200, DNW-200, SS-2100B, SS-2100P, SS-2100W	
2	NV-0054	O-ring			
3	NV-0021	Diaphragm			
4	SH-0039	O-ring, fill plug screw			
5	NV-0007	Bowl			
8	NV-0002	Balance Tab, for open face dial			
9	SH-0052	Retainer, balance tab			
11	NV-0086	Screw, fill plug			
12	SH-0061	Screw, 4-24 x 1/2", flt, bezel			1988 to Present
13	NV-0065	Screw, 4-24 x 1/2", mch, bezel			1984 to 1987
14	NV-0057	Retainer, diaphragm			All
15	SH-0062	Screw 4-24 x 3/8" rnd, diaph retainer			
16	NV-0062 MAG	Compensator Rod, (compass requires 2)	1984 to 2000		
17	NV-0069	Spacer, housing to bezel			
18	NV-0068	Screw, 6-32 x 1/4" bezel to spacer			
19	SH-0068	Screw, 6-32 x 5/16", spacer			
20	NV-0064	Screw, 10-32, sunshade, for brass bezel			
21	NV-0165	Screw, 6-32, sunshade, for plastic bezel	2000 (Rev #1) to present		
22	NV-0172	Washer, flat nylon, for plastic bezel	2000 (Rev #1) to 2001		
23	NV-0177	Screw, 6-32, flt, bezel to housing	2000 (Rev #1) to present		
24	NV-0094 ASY	Dial, black, open face	All	DNB-200	
25	NV-0018 ASY	Dial, blue, open face	All	SS-2100B, SS-2100P, SS-2100W	
26	NV-0097 ASY	Dial, white, open face	All	DNW-200	
28	NV-0085 ASY	Gimbal Ring/Pan Assembly	All	DNB-200, DNP-200, DNW-200, SS-2100B, SS-2100P, SS-2100W	
29	NV-0070 ASY	Sunshade, black, red LED	All	DNB-200, DNP-200, SS-2100B, SS-2100P	
30	NV-0099 ASY	Sunshade, black, green LED			
31	SH-0045	Hole plug, black			
32	NV-0004	Bezel, brass, black	1984 to 2000		
33	NV-0166 ASY	Bezel, plastic, black	2000 (Rev 1) to present		
34	NV-0088 ASY	Sunshade, white, red LED	All	DNW-200, SS-2100W	
35	NV-0100 ASY	Sunshade, white, green LED			
36	SH-0144	Hole plug, white			
37	NV-0087	Bezel, brass, white			1984 to 2000
38	NV-0167 ASY	Bezel, plastic, white	2000 (Rev #1) to present		
39	NV-0098	Housing, white	2000 (Rev #1) to present	DNB-200, SS-21000B	
40	NV-0028	Housing, black		DNP-200, SS-2100P	
41	NV-0029	Housing, polished S/S	2000 (Rev #1) to present		

Navigator

DNB-203, DNP-203, DNW-203



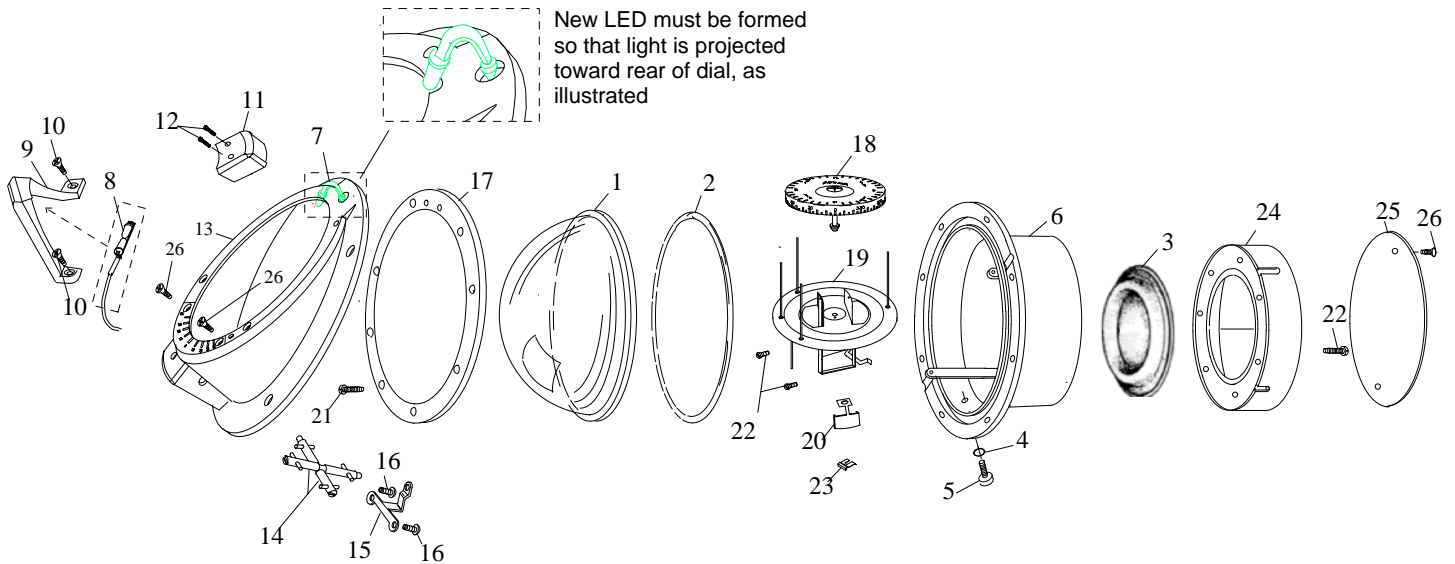
Navigator

CombiDamp Binnacle Mount

1	NV-0022	Dome	All	DNB-203, DNP-203, DNW-203
2	NV-0054	O-ring		
3	NV-0021	Diaphragm		
4	SH-0039	O-ring, fill plug screw		
5	SH-0066	Screw, 4 x 1/4, pan, light retainer		
7	NV-0164	Balance Tab, CombiDamp dial		
8	SH-0052	Retainer, balance tab		
9	NV-0128 ASY	LED, dual light assembly, green		
10	NV-0138	Gasket LED,		
11	NV-0086	Screw, fill plug		
12	SH-0061	Screw, 4-24 x 1/2", flt, bezel		
14	NV-0057	Retainer, diaphragm		
15	SH-0062	Screw 4-24 x 3/8" rnd, diaph retainer		
16	NV-0180 MAG	Compensator, (compass requires 2)		
17	NV-0069	Spacer, housing to bezel		
18	NV-0068	Screw, 6-32 x 1/4"		
19	SH-0068	Screw, 6-32 x 5/16", spacer		
20	NV-0064	Screw, 10-32, sunshade, brass bezel		
22	NV-0135 LFT	Retainer, light, left	1999 to 2000	
23	NV-0135 RGT	Retainer, light, right		
24	NV-0165	Screw, 6-32, sunshade, plastic bezel		
25	NV-0177	Screw 6-32, flt, bezel to housing	2000 (Rev #1) to Present	
26	NV-0172	Washer flat nylon, for plastic bezel	2000 (Rev 1) to 201	
27	NV-0007	Bowl, under bezel lighting	2001 (Rev 1) to present	
28	NV-0185 LFT	Retainer, light, left		
29	NV-0185 RGT	Retainer, light, right		
30	NV-0124 ASY	Dial, black, CombiDamp dial	All	DNB-203, DNP-203
31	NV-0125 ASY	Dial, white, CombiDamp dial	All	DNW-203
32	NV-0070 ASY	Sunshade, black with red LED	All	DNB-203, DNP-203
33	NV-0099 ASY	Sunshade, black with green LED		
34	SH-0045	Hole Plug, black		
37	NV-0166 ASY	Bezel, plastic, black	2001 (Rev #1) to Present	
38	NV-0088 ASY	Sunshade, white with red LED	All	DNW-203
39	NV-0100 ASY	Sunshade, white with green LED		
40	SH-0144	Hole Plug, white		
43	NV-0167 ASY	Bezel, plastic, white	2001 (Rev #1) to Present	
44	NV-0098	Housing, white	2001 (Rev #1) to Present	
45	NV-0028	Housing, black	2001 (Rev #1) to Present	DNB-203
46	NV-0029	Housing, polished S/S	2001 (Rev #1) to Present	DNP-203
47	NV-0189 ASY	Gimbal Ring/Pan. Use w/ white dial	All	DNW-203
48	NV-0131 ASY	Gimbal Ring/Pan Use w/ black Dial		DNB-203, DNP-203

Navigator

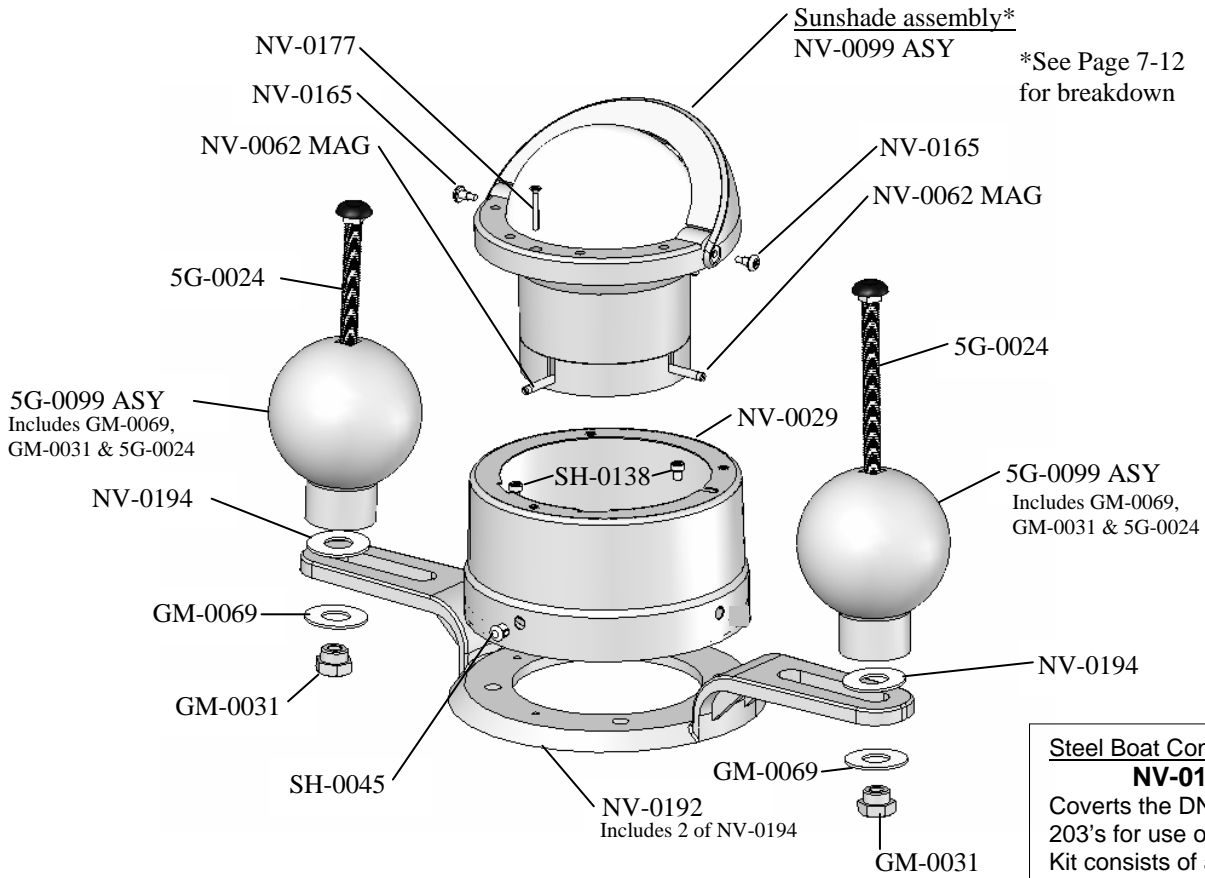
Bulkhead Mount BN-202



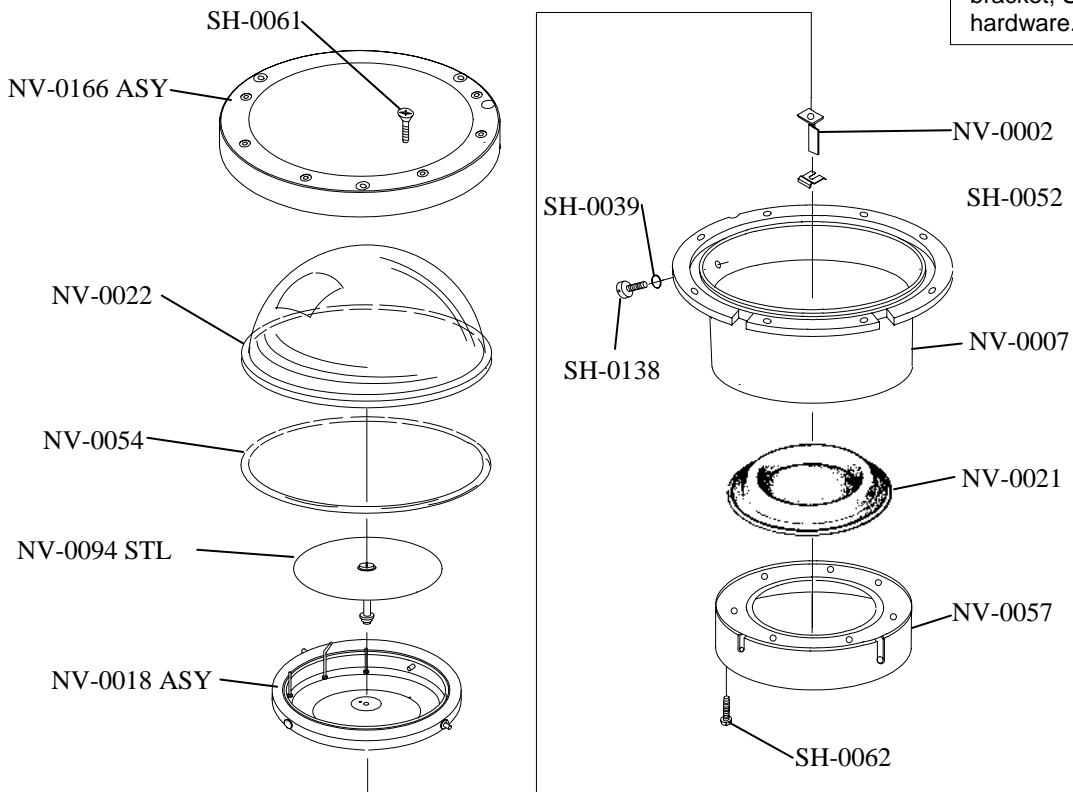
1	NV-0022	Dome	BN-202
2	NV-0054	O-ring	
3	NV-0021	Diaphragm	
4	SH-0039	O-ring, fill plug screw	
5	NV-0086	Screw, fill plug	
6	NV-0007	Bowl	
7	NV-0045 ASY	LED, Upper Light assembly	
8	NV-0044 ASY	LED, Lower Light assembly	
9	NV-0047	Housing, lower light	
10	NV-0065	Screw, lower light housing	
11	NV-0048	Housing, upper light	
12	NV-0067	Screw, upper light housing	
13	NV-0014	Cover, mounting	
14	SH-0057 MAG	Compensator Rod, (compass requires 2)	
15	SH-0053	Retainer, compensator assembly	
16	NV-0066	Screw, compensator assembly retaining	
17	NV-0005	Bezel, sealing	
18	NV-0016 ASY	Dial Assembly, red	
19	NV-0090 ASY	Lubber Line Platform Assembly	
20	NV-0001	Balance Tab	
21	SH-0061	Screw, 4-24 x 1/2" flt, bezel	
22	SH-0062	Screw 4-24 x 3/8" rnd, diaph retainer	
23	SH-0052	Retainer, balance tab	
24	NV-0057	Retainer, diaphragm	
25	NV-0013	Comp Cover	
26	SH-0064	Screw, cover retaining	

Mounting Gasket for the BN-202 **Part # NV-0023**

Navigator Steel Boat B-200P

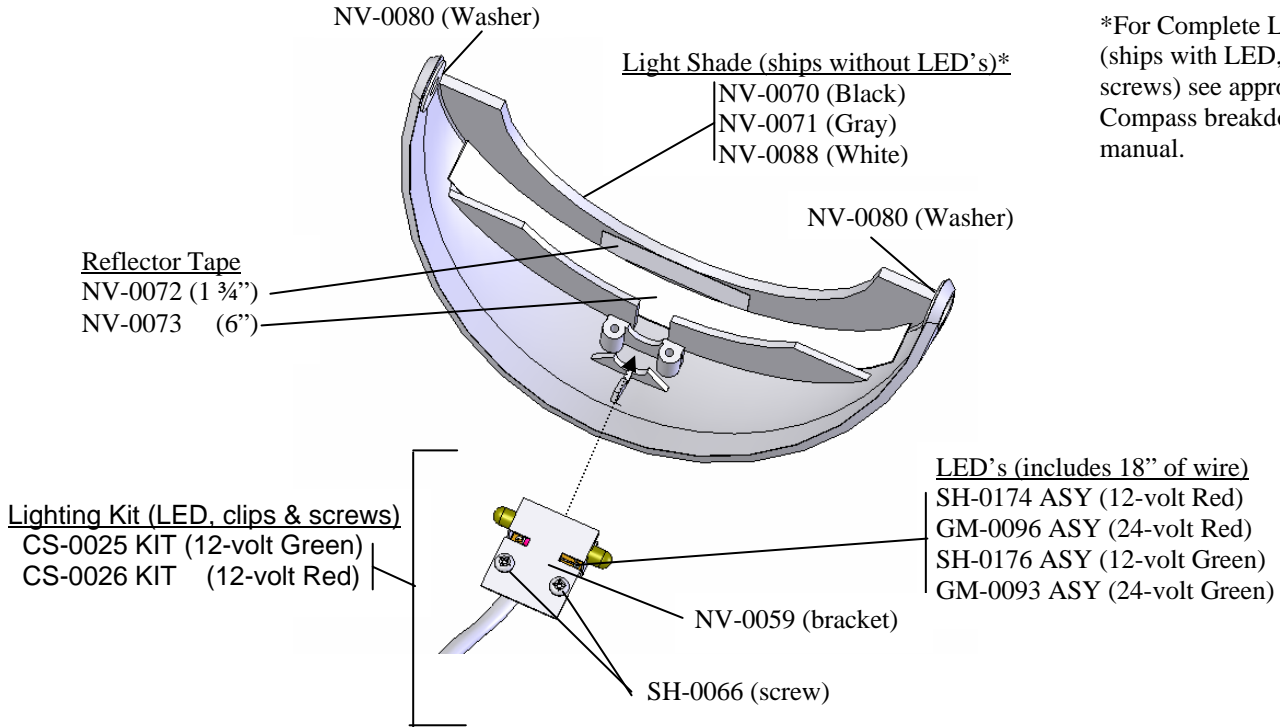


Steel Boat Conversion Kit.
NV-0192 KIT
 Covers the DN 200's and
 203's for use on steel boats.
 Kit consists of a lower
 bracket, Spheres and all the
 hardware.



Navigator Lighting

Sunshade Lighting

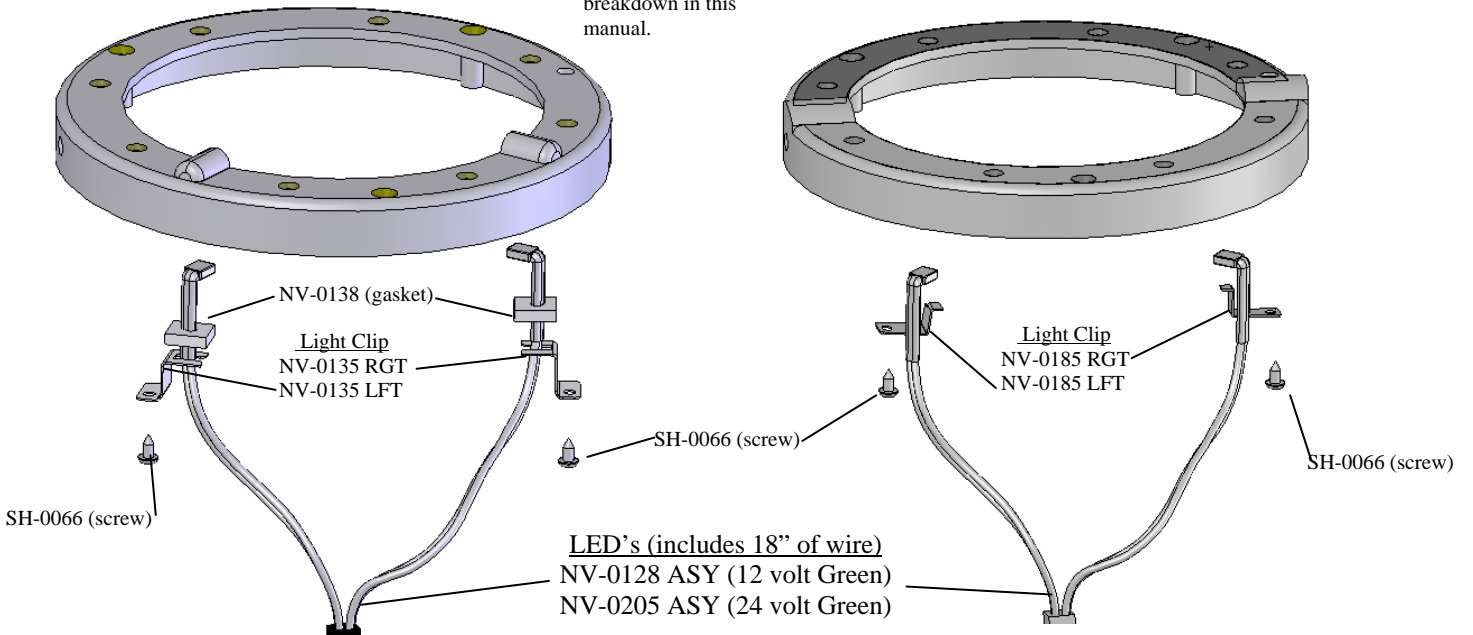


Direct Lighting

1999 to 2001

For bezel part #'s see appropriate compass breakdown in this manual.

2001 (rev 1) to Present



Old Style Navigator

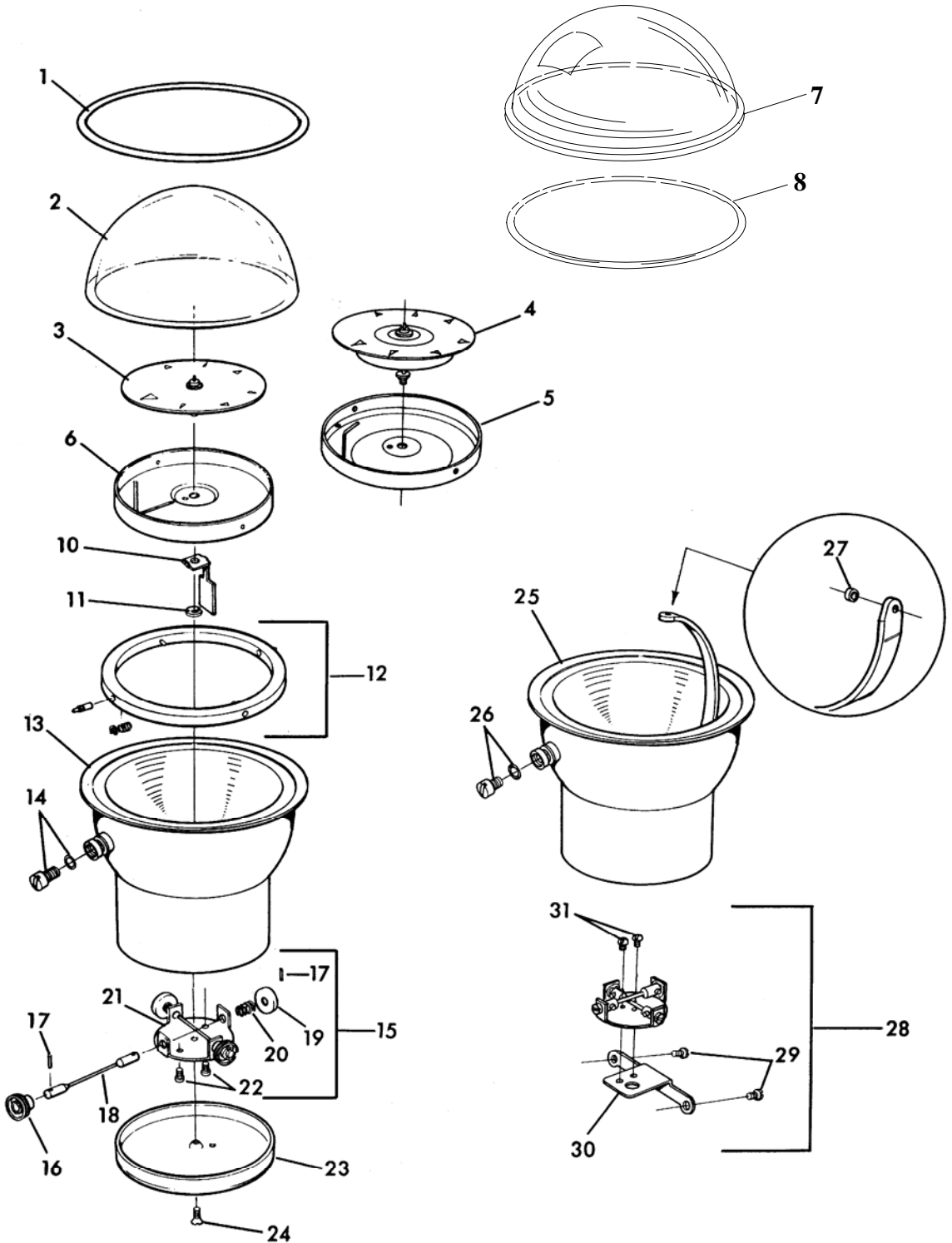
The following pages, 6-13 to 6-17, are re-prints of a past service manual. Parts that are not available are shown as N/A. Non-production parts are only available while supplies last.

The old style Navigator was produced between 1970 and 1984.

In 1980 (serial number C/80 or higher) the O-ring and dome were changed to under dome sealing.

Old Style Navigator

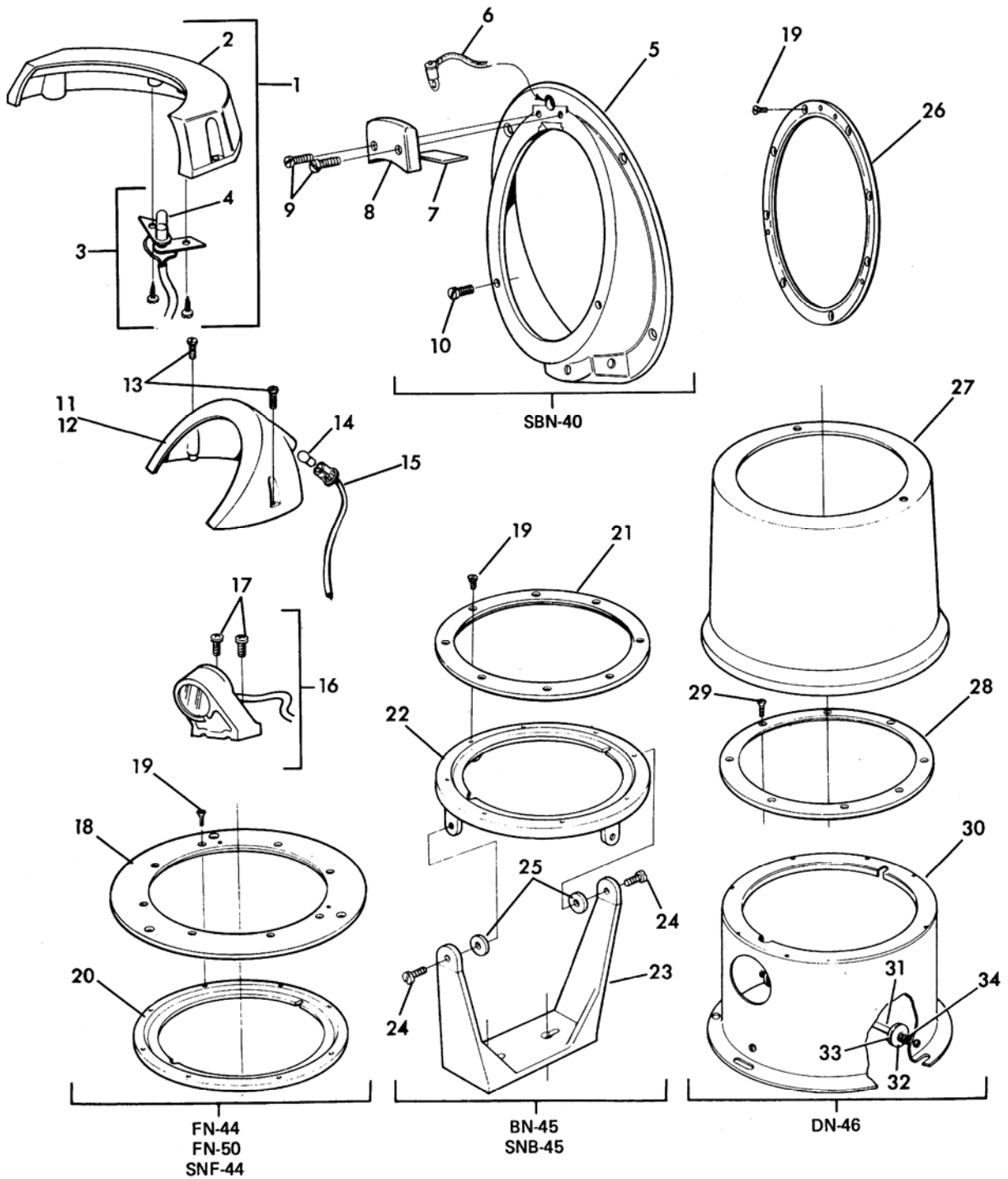
Capsule breakdown



Old Style Navigator

1	N/A CS-09D1G1	O-ring, dome (prior to Ser # C-80)
2	N/A CS-09D1	Dome (prior to ser # C-80)
3	CS-09J1X	Dial Assembly (non Power-Damp)
4	CS-09J2X	Dial Assembly (Power-Damp)
5	N/A	Pan, Power-Damp
6	N/A	Pan
7	N/A CS-09D2	Dome (after Ser # C-80)
8	N/A CS-09D1G2	O-ring, dome (after Ser # C-80)
10	NV-0002	Balance Tap
11	SH-0052	Retainer, balance tab
12	N/A	Gimbal Assembly
13	N/A	Bowl (prior to Ser # B-80)
14	GM-0046	Fill Plug
	SH-0039	O-ring, fill plug
15	N/A	Comp Assembly
16	N/A	Knob
17	N/A	Magnet
18	N/A	Rod
19	N/A	Retainer
20	N/A	Spring
21	NA	Comp Plate
22	N/A	Screw
23	NA	Comp Cover
24	SH-0064	Screw
25	N/A	Bowl (prior to Ser # B-80)
26	NV-0086	Fill Plug
	SH-0039	O-ring, fill plug
27	N/A	Spacer
28	N/A	Comp Assembly
29	N/A	Screw
30	N/A	Mounting Plate
31	N/A	Screw
N/A Not Available		

Old Style Navigator Lighting



Old Style Navigator

1	CS-09A4X	Low Level Light Shield Asy. w/LED
2	CS-09A4	Low Level Light Shield
3	N/A*	Light Wire Asy. w/bulb
4	CS-04L4V1	Lamp, Red (12 Volt Only)
5	N/A	Cover (Model SBN-40 only)
6	CS-20L1V1X	Lamp Assembly (1 2 Volt)
7	N/A	Lens, red
8	CS-20L1M2	Cover, bulkhead lamp
9	N/A	Screw, bulkhead lamp cover
10	N/A	Screw, cover
11	N/A	Hood, sunshade (Models BN-45 & FN-44)
12	N/A	Hood, sunshade (Models DN-46 only)
13	N/A	Screw, sunshade
14	CS-09L1V1	Lamp, bayonet, 12 volt, red
15	CS-02LIX	Lamp Assembly, 12 volt, clear
16	CS-20L1X	Lamp Assembly, 12 volt (Models FN-50, SNF-44 & SNB-45)
17	NV-0066	Screw, lamp holder
18	N/A	Bezel (Prior to B-80)
	N/A	Bezel (Model FN-44, FN-50 & SNF-44)
19	NV-0065	Screw, bezel
20	N/A	Ring, retaining (prior to B-80)
	N/A	Ring, retaining (Models FN-44, FN-50, SNF-44 & SBN-40)
21	N/A	Bezel (Prior to B-80)
	N/A	Bezel (Models BN-45 & SNB-45)
22	N/A	Ring, Retaining (Prior to B-80)
	N/A	Ring, Retaining (Models BN-45 & SNB-45)
23	N/A	Bracket
24	N/A	Screw, bracket
25	N/A	Washer, rubber
26	N/A	Bezel (SBN-40)
	N/A	Screw, bezel (not shown)
27	N/A	Housing, deck mount
28	N/A	Bezel (Prior to B-80)
	N/A	Bezel (Model DN-46)
29	NV-0066	Screw, bezel
30	N/A	Base, compensator housing
31	N/A	Rod, compensator
32	N/A	Retainer, compensator magnet
33	N/A	Magnet, compensator
34	N/A	Spring, compensator magnet retainer
*Order CS-0002KIT for LED upgrade		

(This page intentionally left blank)